

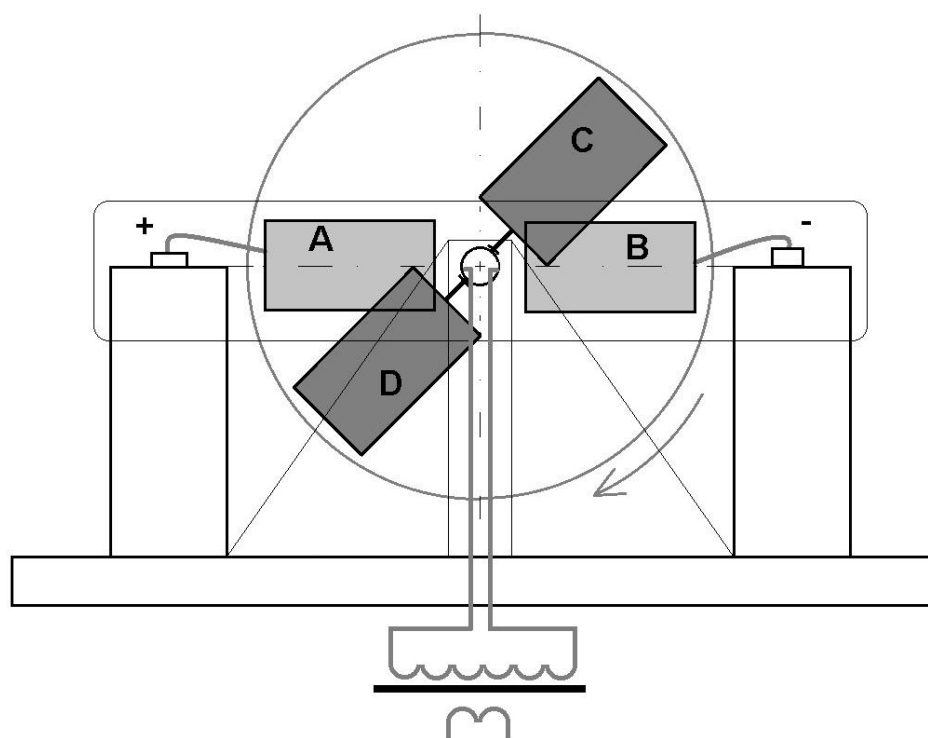
RESEARCH PROJECT

Testatika Technology

by Alexander V. Frolov

There is famous free energy technology placed in Switzerland, Methernitha. Many years this workable source of free energy provides energy needs of small town.

It is proposed here to organize research work to design optimal device for mass production and start sales of this product. Simplified scheme according to Alexander V. Frolov is demonstrated Fig.1.



In simplest case it is possible to use two stationary placed plates A and B, which are connected with electric capacitors of high voltage. It is primary source. Its role is high voltage field. This field produces polarization of rotating plates C and D. Rotation can be provided by external motor or by means of other method since this machine also is the motor. Polarization of plates C and D during rotation in area of high potential charged plates A and B is reason of electric current between them. The current can be obtained using contact brushes. The brushes must be connected to transformer of useful load.

This research design project is planned to develop the technology up to marketable product of 100W – 10kW power level.

Contacts with developer +7 920 794-4448 a2509@yahoo.com

Alexander V. Frolov