

Innovation Project

APEEC **Autonomous Photo Electrical Energy** **Conversion**

Alexander V. Frolov

Russia, 2012

Goal

- It is planned to create new source of energy.
- First stage of the project is design and testing of experimental setup. It is stage “idea – prototype”.
- Next stage is organization of license sales.
- Last stage is building of production company to manufacture the new sources of energy.
- Strategy aim is high profitable business.

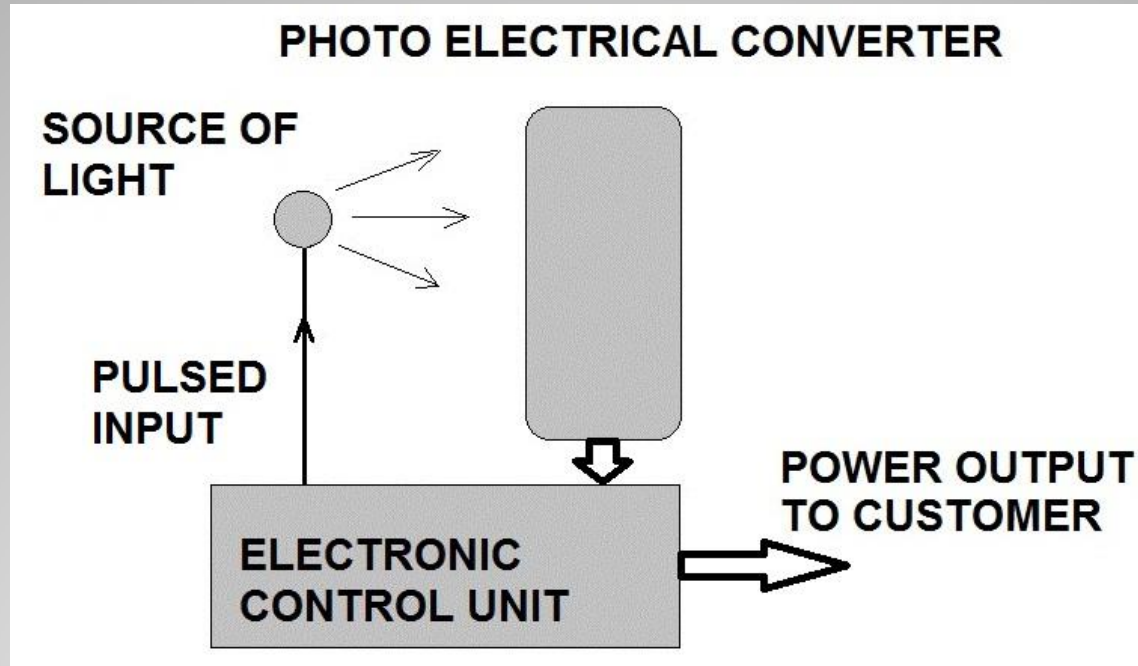
Product and applications

- Product is new source of energy.
- Name of the product is Autonomous Photo Electrical Energy Converter (APEEC)
- It is new product, using solar panels (photoelectrical effect) by innovation method.
- The technology can be applied to be source of electrical energy in wide range: from several watts up to kilowatts level, home and industrial applications.

Market

- Bloomberg consider this sector of energy market to be about 50 bil. Euro per year.
- Plans: in 2017 sales of licenses on APEEC technology can reach 100 mil. Euro.
- Considering 10% royalties from industrial partners the profit of the company in 2017 planned to be about 5 – 7 bil. Euro.

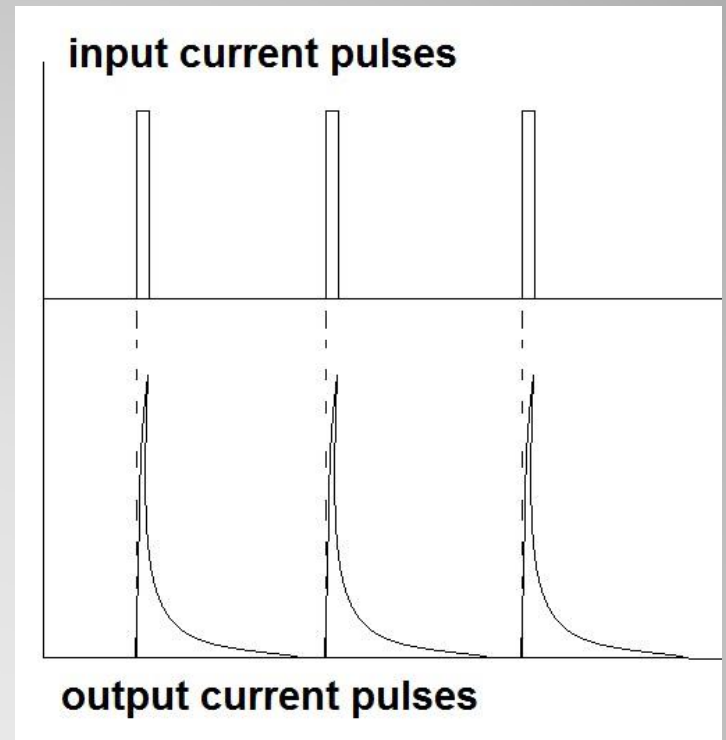
The idea



Using new method it is possible to provide over-unity mode of the photo-electrical energy conversion.

Experimental results

- In 2010 it was discovered by Alexander V. Frolov that pulses of light produce “inertial effects” in ordinary solar panels.
- In the case of **very short** input pulses it is possible to get over-unity mode of photo-electrical energy conversion.



Stage of the project

- Confirmation of the effect in laboratory of University in Europe. 1 month.
- Patent documentation. 1 month.
- Preparation to license sales and development of the technological aspects for industrial level. 3 months.
- Sales of license (know-how) and start of production. After 6 months of the project.

The Proposal

- Required investments 50,000 USD
- The team:
 - Investor 51%
 - Founder 39%
 - Managers 5%
 - Co-Authors 5%
- First stage require 30,000 USD to get official confirmation of the effect in University. It is the risk stage.

Contacts



Alexander V. Frolov

7-910-9482509

a2509@yahoo.com