

HIGH EFFICIENT ELECTROLYSER

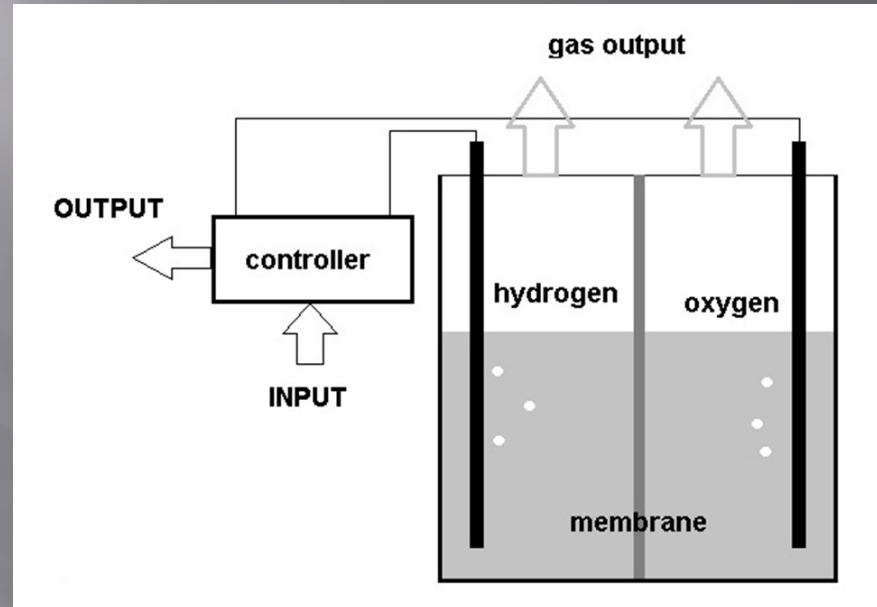
Alexander V. Frolov

2012

Aim

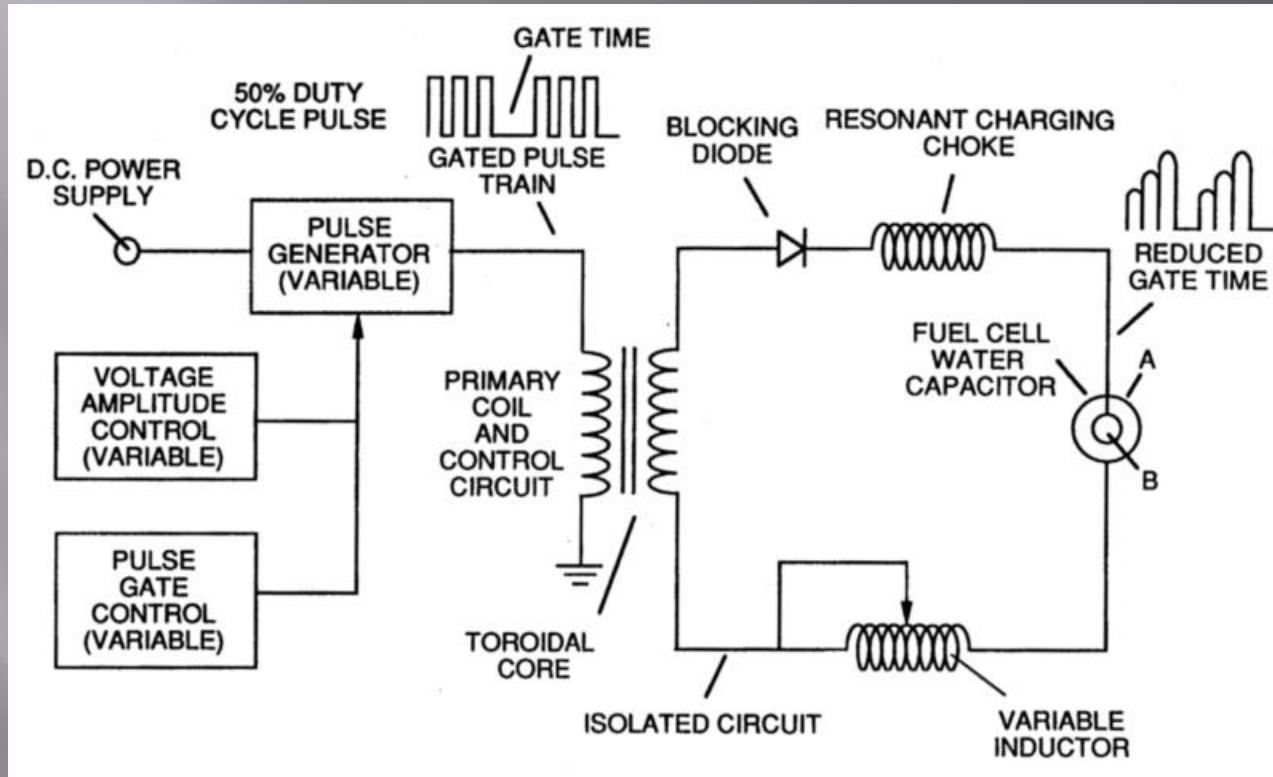
- ▣ It is planned to produce experimental unit of high efficient water – gas splitter, i.e. source of hydrogen.
- ▣ This method use new pulsed mode of water dissociation.
- ▣ In collaboration with industrial partners we can organize production facilities.

The idea



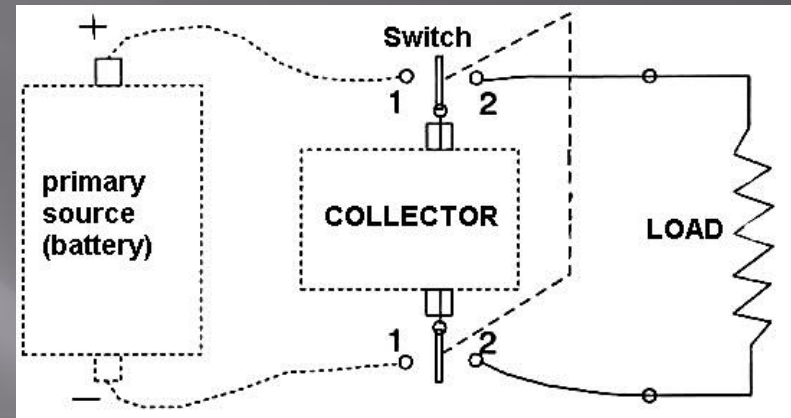
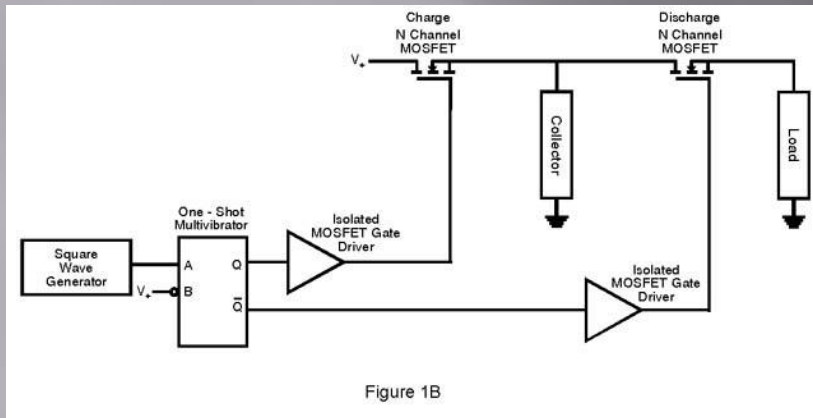
- ▣ Pulsed two stage mode:
 - 1. Electric input produce polarization of electrodes.
 - 2. Controller switch off input and connect electrodes to load or battery charger.

Analogy



- ❑ Stanley Meyer US patent 5,149,407
- ❑ Low input due to resonance

One more analogy



□ Tomas Bearden

“The Final Secret of Free Energy”

Keynote: we need massive displacement current... it is free of primary source depleting...

How it works?

- ▣ Pulsed mode: activation pulse have min duration. It is used to get **displacement** current only and it is finished at the moment of beginning of the **conductivity** current. Excess of energy from primary source should be min.
- ▣ During pause the controller switch off primary source and switch on electrodes to battery. In this part of cycle the electrolyser work to be source of electricity to charge the battery

Important on theory

- ▣ It is planned to use pure distilled water.
- ▣ Electrical permittivity of pure water is about 81, it is good dielectric.
- ▣ Theory: energy of process is depend of energy of capacitor. It is function of capacitance. Dielectric placed between electrodes increase this factor. By this way we can get more energy in capacitor for free, due to polarization of water.
- ▣ Self-cooling of water is estimated here during operation of the electrolyser.

Our advantages

- ❑ Efficiency: ordinary method require 4 – 7 kW/h to produce 1 m³ of hydrogen. New method can provide the same amount using 20 watt/hour.
- ❑ We can design self-powered source of energy by means of integration of new electrolyser and hydrogen cell. The cell will produce sufficient electrical power to provide useful load and operation of the electrolyser.

Financial Plan (Euro)

		Period	Expenses	Income
1	Prototype building	3 months	50,000	-
2	Testing	1 month	10,000	-
3	Patent	6 months	30,000	-
4	Sales of license	2013	-	5 Mil. Euro
4	Production facilities	2014	500,000	10 Mil. Euro

Founder



Alexander V. Frolov

7-910-948-2509

7-920-794-4448

Skype alexfrolov2509

a2509@yahoo.com